



US00D492929S1

(12) **United States Design Patent**
Fong

(10) **Patent No.:** **US D492,929 S**

(45) **Date of Patent:** **** Jul. 13, 2004**

(54) **BUOY INTERCONNECTION BUFFER**

(76) Inventor: **Mickey L. Fong**, 10280 Wise Rd.,
Auburn, CA (US) 95630

(**) Term: **14 Years**

(21) Appl. No.: **29/187,554**

(22) Filed: **Jul. 31, 2003**

(51) **LOC (7) Cl.** **12-06**

(52) **U.S. Cl.** **D12/316; D12/107**

(58) **Field of Search** **D12/107, 316;**
114/345, 266-267; 441/129

(56) **References Cited**

U.S. PATENT DOCUMENTS

5,020,465	A	*	6/1991	Langford	114/345
5,239,940	A	*	8/1993	Griffin	114/353
5,324,221	A	*	6/1994	Kaufman et al.	441/129
6,053,790	A	*	4/2000	Langford	441/129
6,213,832	B1	*	4/2001	Fest, Sr.	441/129

* cited by examiner

Primary Examiner—Nelson C. Holtje

(74) *Attorney, Agent, or Firm*—Heisler & Associates

(57) **CLAIM**

The ornamental design for a buoy interconnection buffer, as shown and described.

DESCRIPTION

FIG. 1 is a perspective view of a preferred embodiment of the buoy interconnection buffer according to this invention;

FIG. 2 is a front elevation view of the embodiment of FIG. 1;

FIG. 3 is a left side view of the embodiment of FIG. 1, the right side view being a mirror image;

FIG. 4 is a top plan view of the embodiment of FIG. 1, the bottom plan view being a mirror image;

FIG. 5 is a detailed view of a portion of that which is shown in FIG. 4. The unique surface shading in the upper portion of FIG. 5 is representative of edges of four layers of fabric material embedded within the primary material forming the buffer of the preferred embodiment;

FIG. 6 is a perspective view of an alternative embodiment of the buoy interconnection buffer according to this invention; FIG. 7 is a rear elevation view of the embodiment of FIG. 6;

FIG. 8 is a left side view of the embodiment of FIG. 6, the right side view being a mirror image;

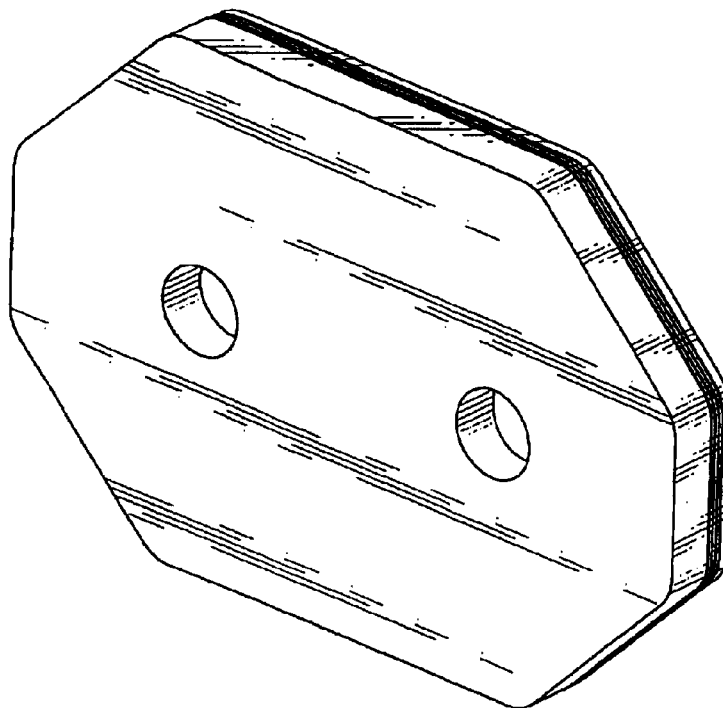
FIG. 9 is a top plan view of the embodiment of FIG. 6, the bottom plan view being a mirror image;

FIG. 10 is a detailed view of a portion of that which is shown in FIG. 9. The unique surface shading in the upper portion of FIG. 10 is representative of edges of four layers of fabric material embedded within the primary material forming the buffer of the alternative embodiment; and,

FIG. 11 is a perspective view of the invention in use connecting elongate cylindrical buoys together.

The broken lines in FIG. 11 are for purposes of illustration only and form no part of the claimed design.

1 Claim, 3 Drawing Sheets



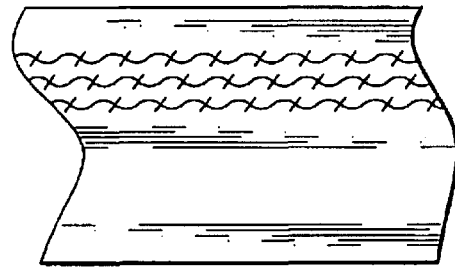
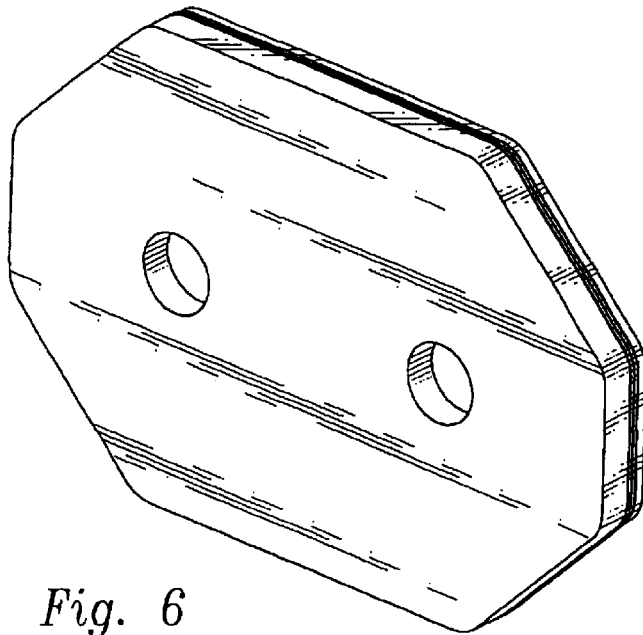


Fig. 8

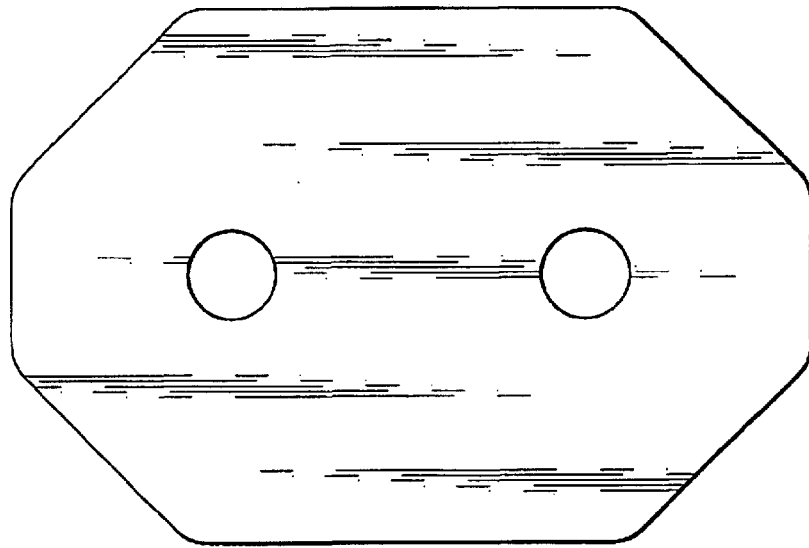


Fig. 7

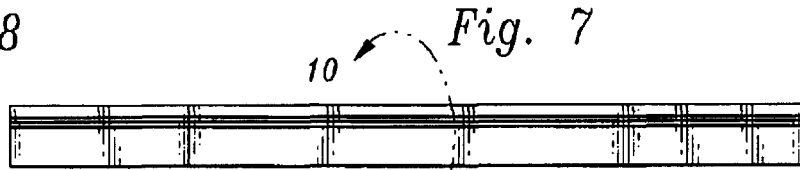


Fig. 9

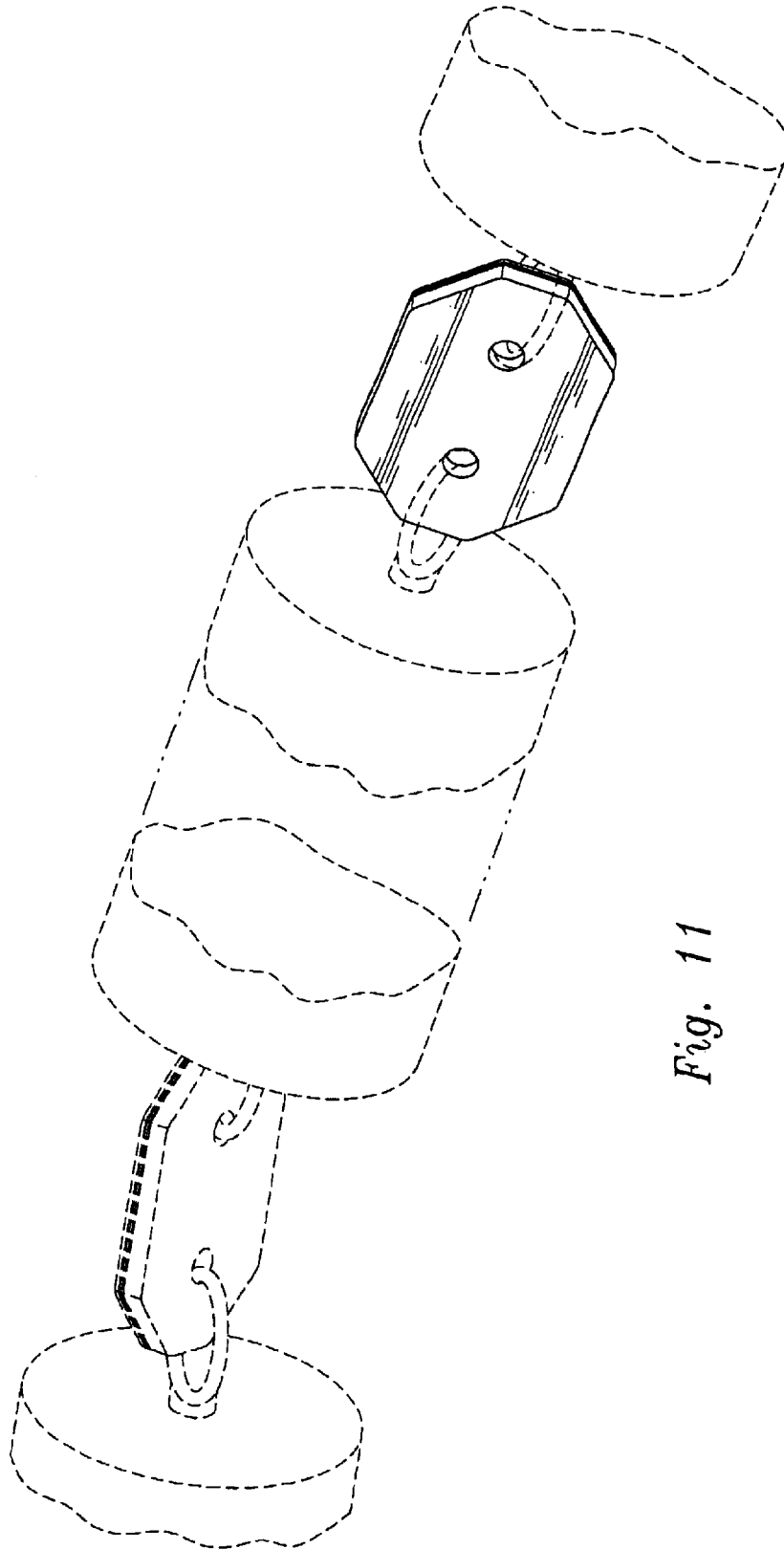


Fig. 11