



US00D564139S

(12) **United States Design Patent**  
**Nichols**

(10) **Patent No.:** **US D564,139 S**  
(45) **Date of Patent:** **\*\* Mar. 11, 2008**

(54) **ADJUSTABLE HALTER**

2005/0217220 A1\* 10/2005 Blocker ..... 54/24

(76) Inventor: **Lillian Nichols**, 12514 Plum La.,  
Wilton, CA (US) 95693

\* cited by examiner

(\*\*) Term: **14 Years**

*Primary Examiner*—Melanie Tung  
*Assistant Examiner*—Susan Moon Lee  
(74) *Attorney, Agent, or Firm*—Heisler & Associates

(21) Appl. No.: **29/286,498**

(22) Filed: **May 7, 2007**

(57) **CLAIM**

(51) **LOC (8) Cl.** ..... **30-04**

The ornamental design for an adjustable halter, as shown and described.

(52) **U.S. Cl.** ..... **D30/152; 54/24; D30/136;**  
D30/144; D30/151

**DESCRIPTION**

(58) **Field of Classification Search** ..... D30/135–138,  
D30/152; 54/6.1, 24, 6.2, 7; 119/792, 831,  
119/856, 993, 828, 822; 2/311; D2/627  
See application file for complete search history.

FIG. 1 is a perspective view of the adjustable halter of this invention.

FIG. 2 is a front elevation view of the invention.

FIG. 3 is a top plan view of the invention.

FIG. 4 is a bottom plan view of the invention.

FIG. 5 is a left side view of the invention.

FIG. 6 is a right side view of the invention.

FIG. 7 is a rear elevation view of the invention; and,

FIG. 8 is a reduced left side view of the invention in use.

The broken line showing of a horse in FIG. 8 is for illustrative purposes only and forms no part of the claimed design.

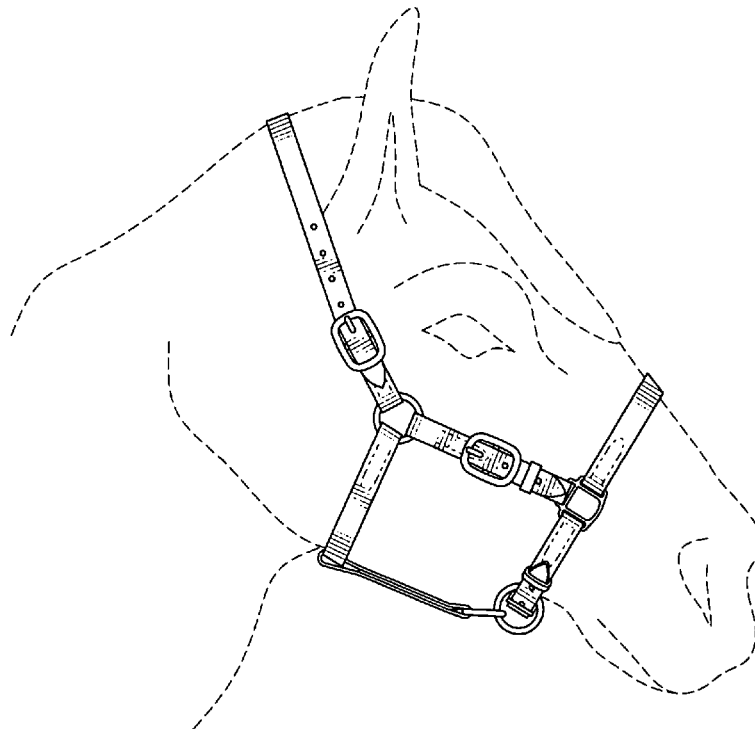
The dashed lines on the harness represent stitching and are part of the claimed design.

(56) **References Cited**

**U.S. PATENT DOCUMENTS**

770,688	A *	9/1904	Lord et al. ....	119/828
887,862	A *	5/1908	Spangenberg .....	54/24
1,276,462	A *	8/1918	Welch et al. ....	119/828
1,525,676	A *	2/1925	Warnes .....	54/6.2
4,502,265	A *	3/1985	Horrigan .....	54/24
4,852,336	A *	8/1989	Gammill .....	54/24
5,079,904	A *	1/1992	Berube .....	54/6.2
5,086,611	A *	2/1992	Purdy .....	54/24
D378,150	S *	2/1997	DuBarry .....	D30/152
6,062,005	A *	5/2000	Roberts .....	54/24
D434,882	S *	12/2000	Hsiang .....	D30/137
D460,840	S *	7/2002	Ross .....	D30/152
6,591,589	B2 *	7/2003	Cook .....	54/6.1

**1 Claim, 3 Drawing Sheets**



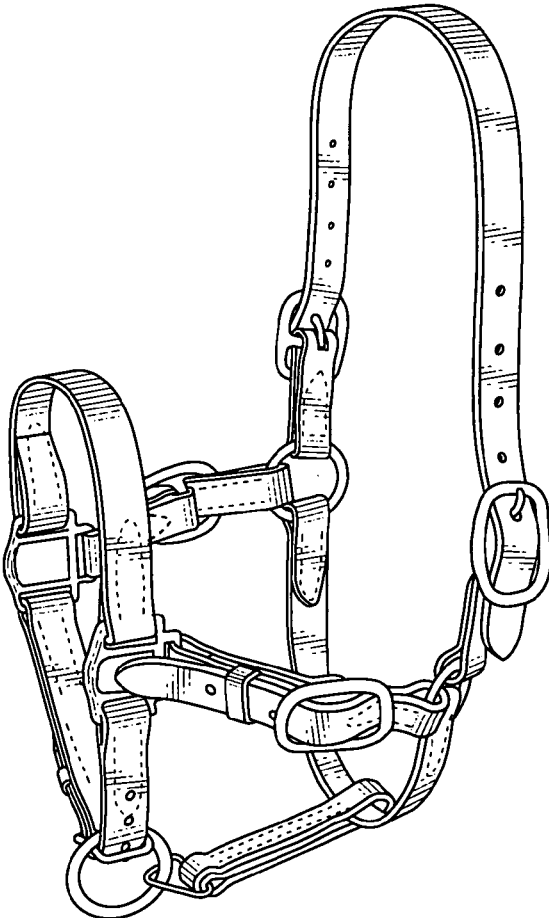


Fig. 1

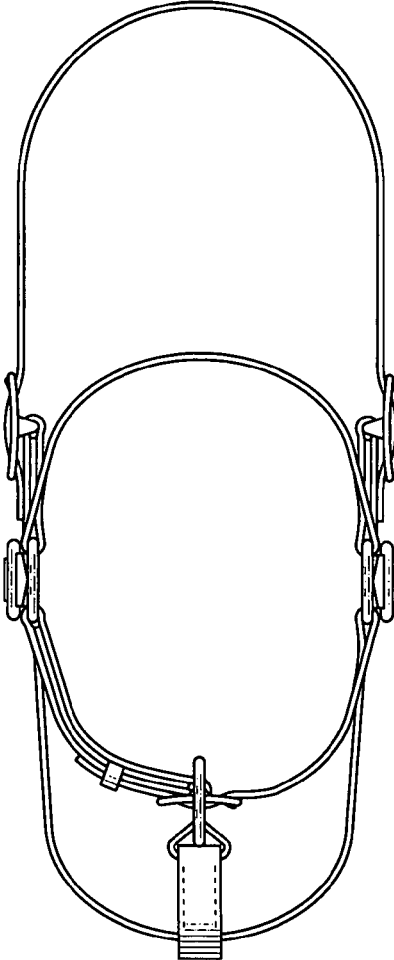


Fig. 2

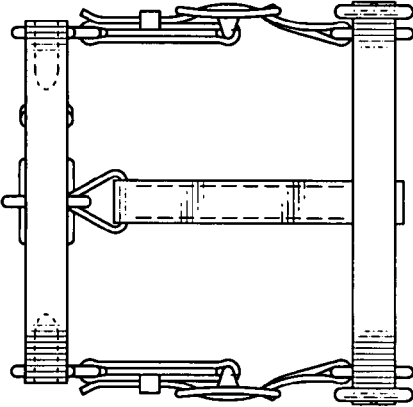


Fig. 3

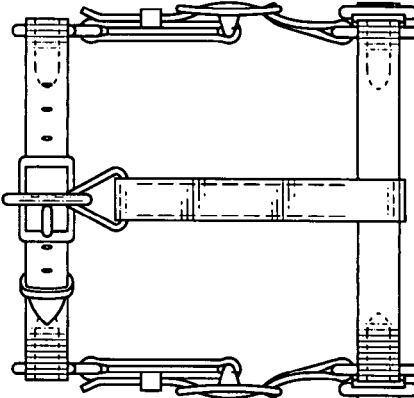


Fig. 4

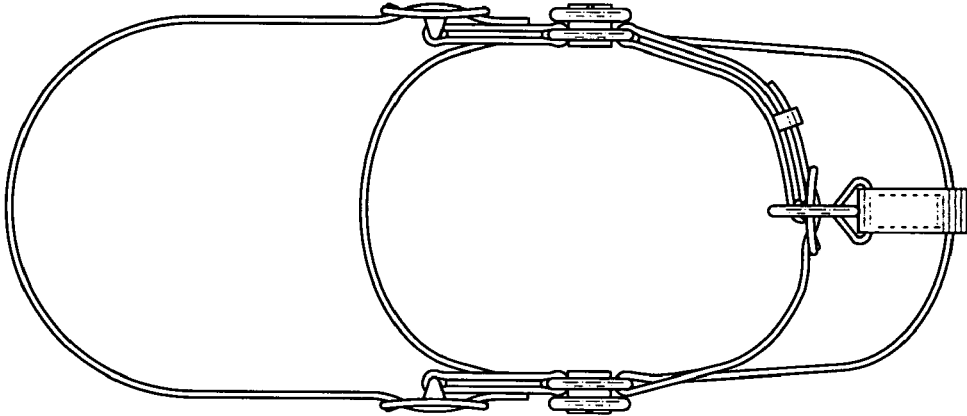


Fig. 7

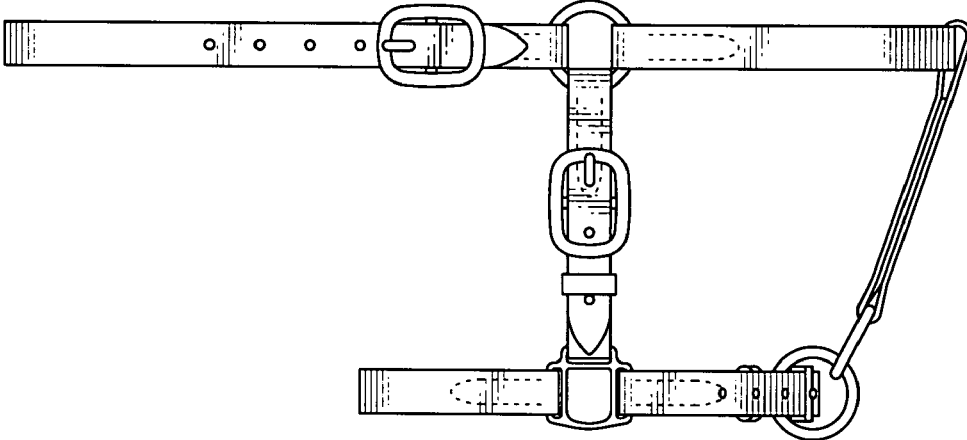


Fig. 6

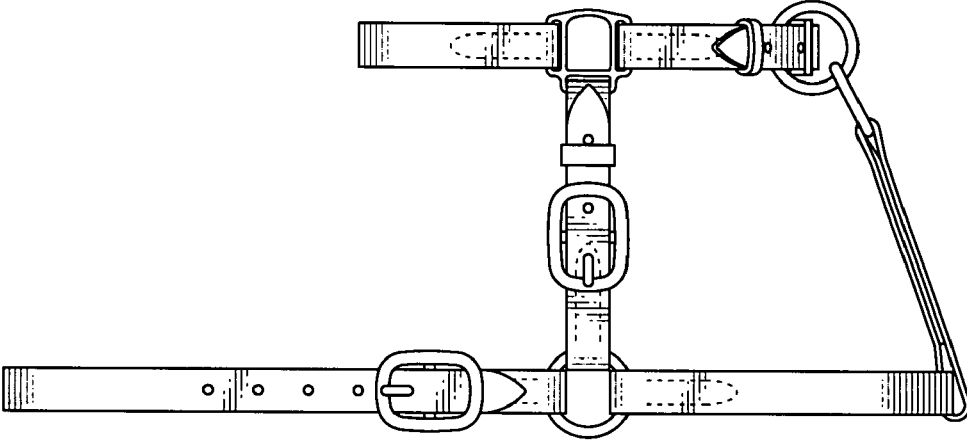


Fig. 5

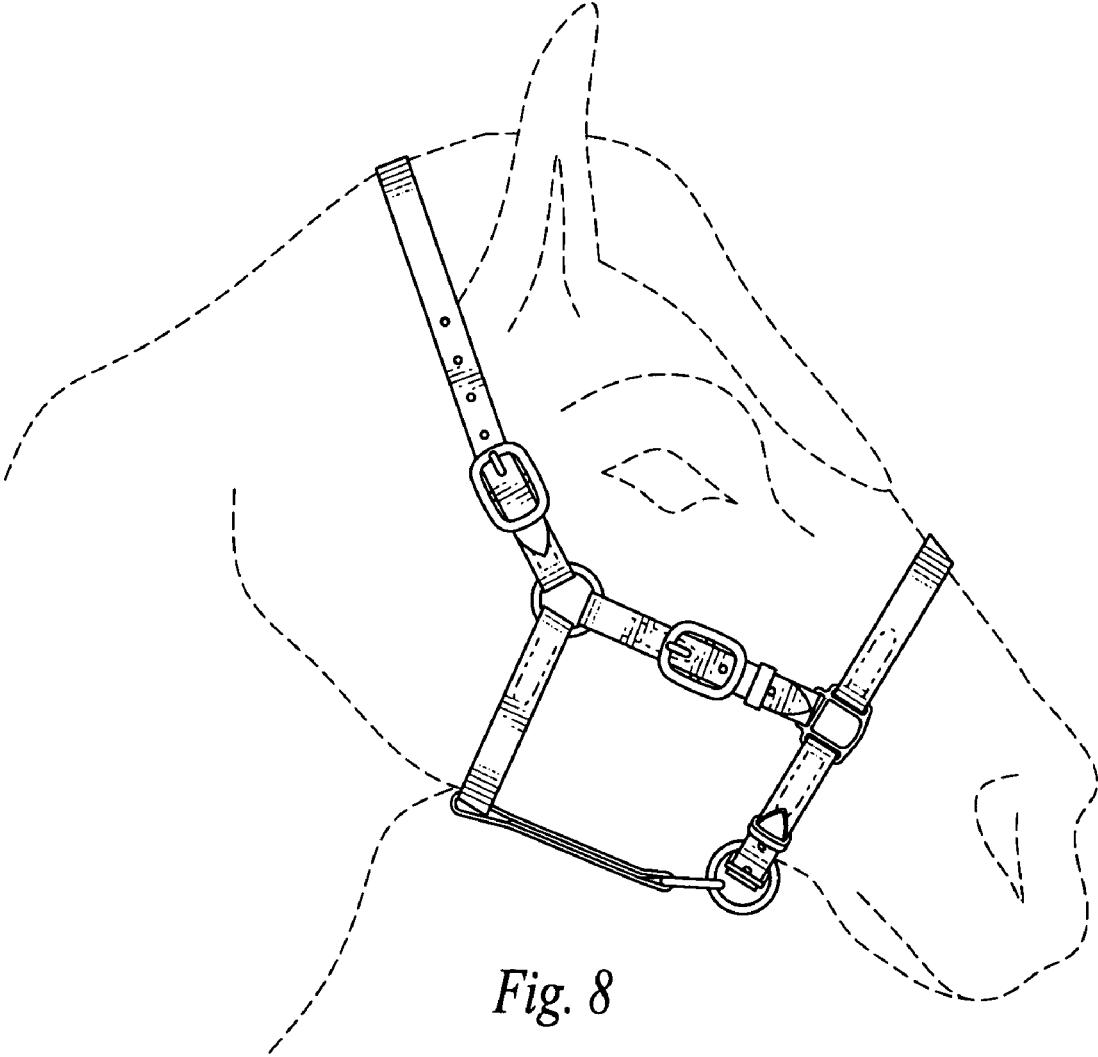


Fig. 8