



US00D369368S

**United States Patent** [19]  
**Wray**

[11] **Patent Number: Des. 369,368**  
[45] **Date of Patent: \*\*Apr. 30, 1996**

[54] **TUBE STRUCTURE FOR TELESCOPE**

**OTHER PUBLICATIONS**

[76] Inventor: **James D. Wray**, 21200 Todd Valley Rd., #40, Foresthill, Calif. 95631

*J. Brit. Astr. Ass.*, "Telescope at Wollongong", 1971, pp. 212-214.

[\*\*] Term: **14 Years**

*Primary Examiner*—Louis S. Zarfaz  
*Assistant Examiner*—Monica A. Hannon  
*Attorney, Agent, or Firm*—Bradley P. Heisler

[21] Appl. No.: **34,815**

[22] Filed: **Feb. 13, 1995**

[57] **CLAIM**

[52] **U.S. Cl.** ..... **D16/132**; D16/130

The ornamental design for a tube structure for telescope, as shown and described.

[58] **Field of Search** ..... D16/130, 131, D16/132, 136, 227; 33/233; 248/185; 353/DIG. 3; 354/79; 356/142, 148, 149, 241, 251, 253; 359/382, 383, 384, 399, 405, 407, 419, 430, 802, 804, 809, 810, 811, 816

**DESCRIPTION**

[56] **References Cited**

FIG. 1 is a perspective view of a tube structure for telescope showing my new design, it being understood that structures shown with broken lines throughout the figures are for illustrative purposes only and form no part of the claimed design;

**U.S. PATENT DOCUMENTS**

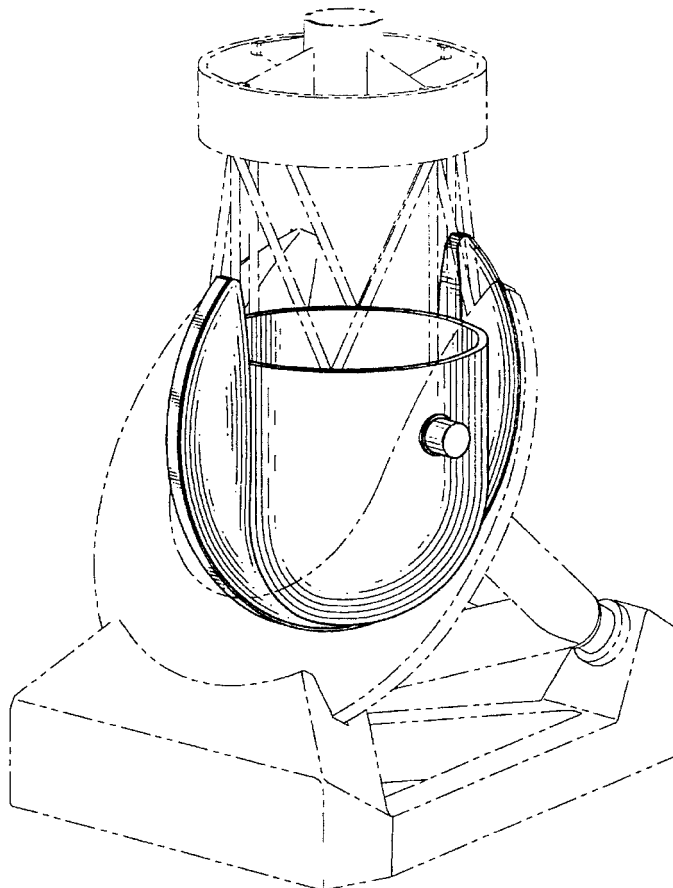
2,212,346	8/1940	Kroon	359/430
3,324,758	6/1967	Rogers, Jr.	D16/132 X
4,317,612	3/1982	Horvath	359/430
4,400,066	8/1983	Byers	359/430
4,927,252	5/1990	Burr	359/430 X

FIG. 2 is a perspective view thereof without broken lines; FIG. 3 is a right side view thereof, it being understood that the opposite side is a mirror image thereof; FIG. 4 is a front elevation view thereof; FIG. 5 is a rear elevation view thereof; FIG. 6 is a top plan view thereof; and, FIG. 7 is a bottom plan view thereof.

**FOREIGN PATENT DOCUMENTS**

2609558	7/1988	France	359/399
604292	5/1960	Italy	359/430

**1 Claim, 3 Drawing Sheets**



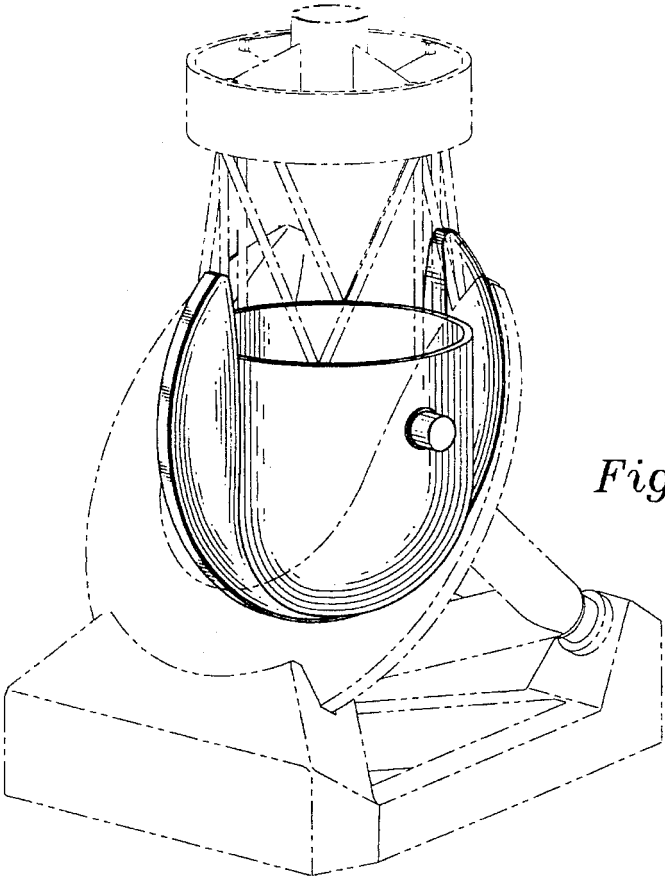


Fig. 1

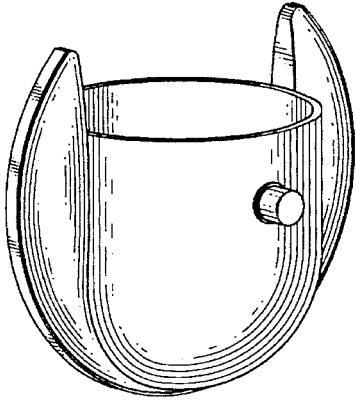


Fig. 2

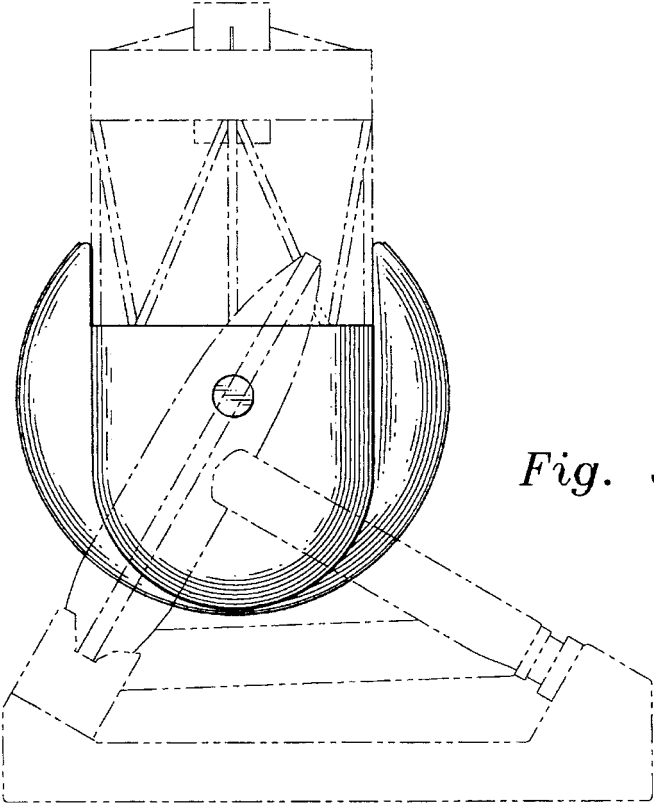
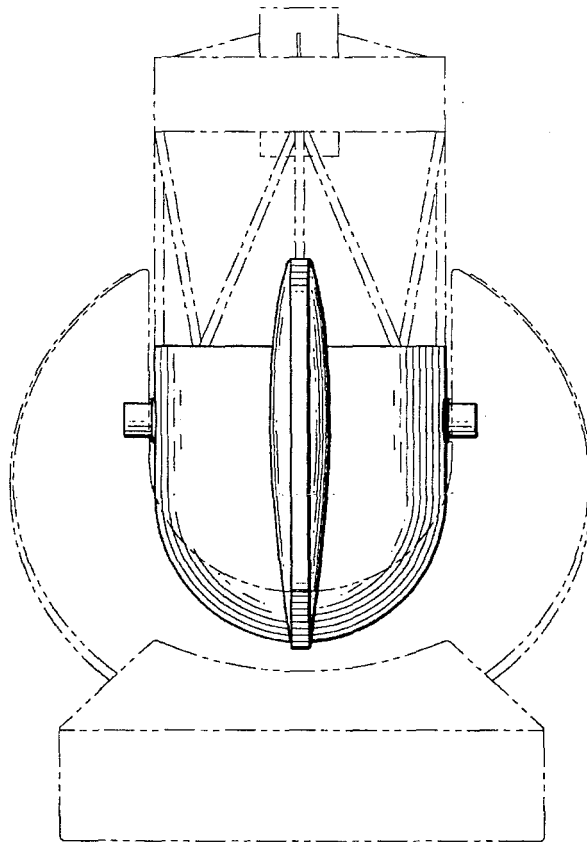
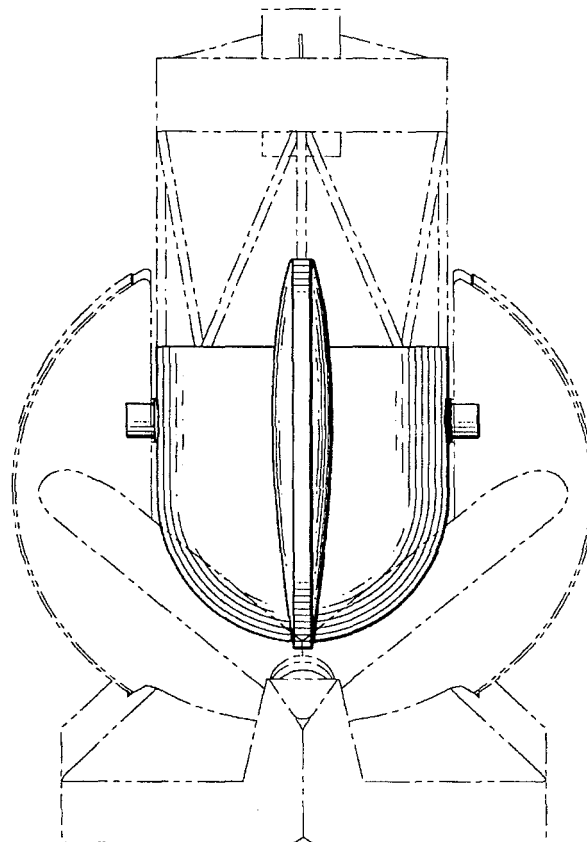


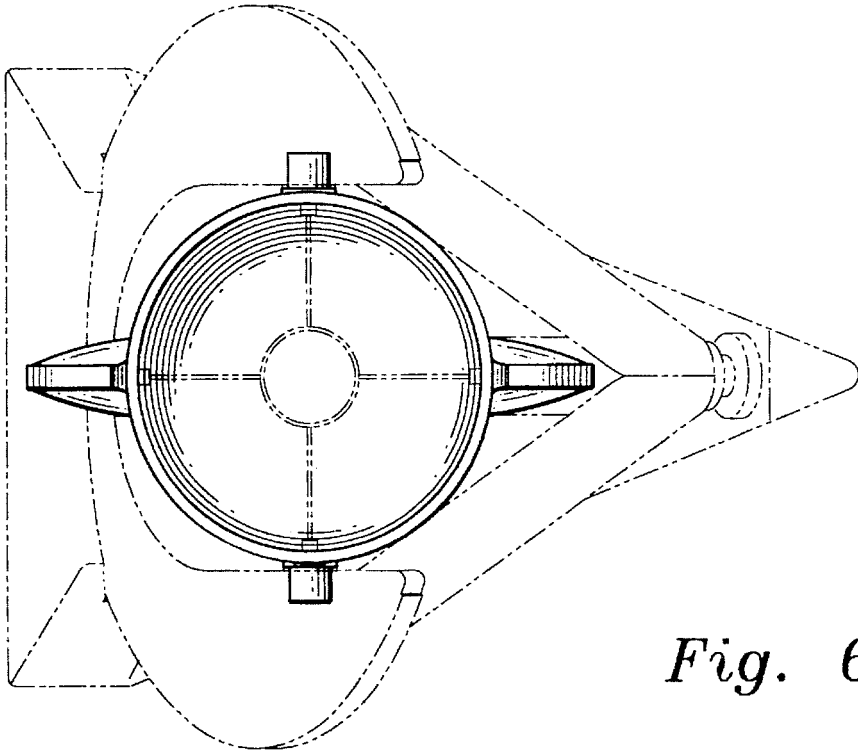
Fig. 3



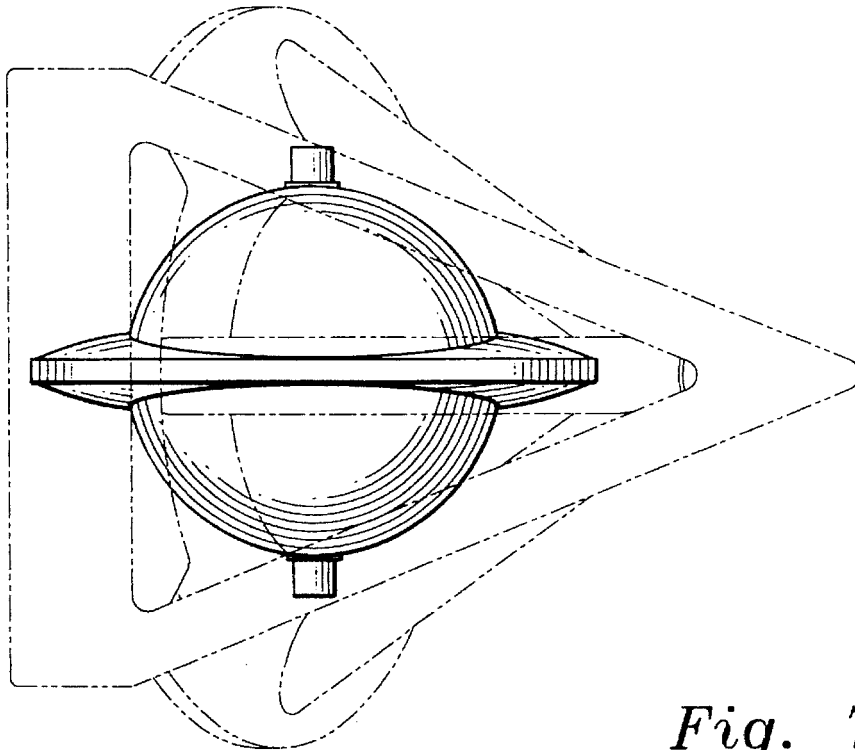
*Fig. 4*



*Fig. 5*



*Fig. 6*



*Fig. 7*