



US00D518992S

(12) **United States Design Patent**  
**Howard**

(10) **Patent No.:** **US D518,992 S**

(45) **Date of Patent:** **\*\* Apr. 18, 2006**

(54) **TORTILLA MAKER**

(75) Inventor: **Wrex A. Howard**, Chico, CA (US)

(73) Assignee: **Wrex Products, Inc.**, Chico, CA (US)

(\*\*) Term: **14 Years**

(21) Appl. No.: **29/216,514**

(22) Filed: **Nov. 3, 2004**

(51) **LOC (8) Cl.** ..... **07-02**

(52) **U.S. Cl.** ..... **D7/352**

(58) **Field of Classification Search** ..... D7/323,  
D7/328-332, 334-339, 352-363; 99/425,  
99/444, 466, 219, 618, 620, 601, 386, 385,  
99/369, 331, 339, 349, 372, 389, 446; 219/620-622;  
222/33; 415/232

See application file for complete search history.

(56) **References Cited**

**U.S. PATENT DOCUMENTS**

2,020,349	A	*	11/1935	Bennett et al.	.....	220/4.21
2,463,439	A	*	3/1949	Strietelmeier	.....	99/375
D157,694	S	*	3/1950	Morris	.....	D7/352
2,582,692	A	*	1/1952	Funke	.....	99/381
3,358,586	A	*	12/1967	Thorngren, Sr.	.....	99/402

D210,143	S	*	2/1968	Skinner	.....	D7/674
D233,302	S	*	10/1974	Trovinger	.....	D7/352
D312,187	S	*	11/1990	Khubani	.....	D7/352
D326,592	S	*	6/1992	Denton	.....	D7/674

\* cited by examiner

*Primary Examiner*—Caron D. Veynar

*Assistant Examiner*—Ricky Pham

(74) *Attorney, Agent, or Firm*—Heisler & Associates

(57) **CLAIM**

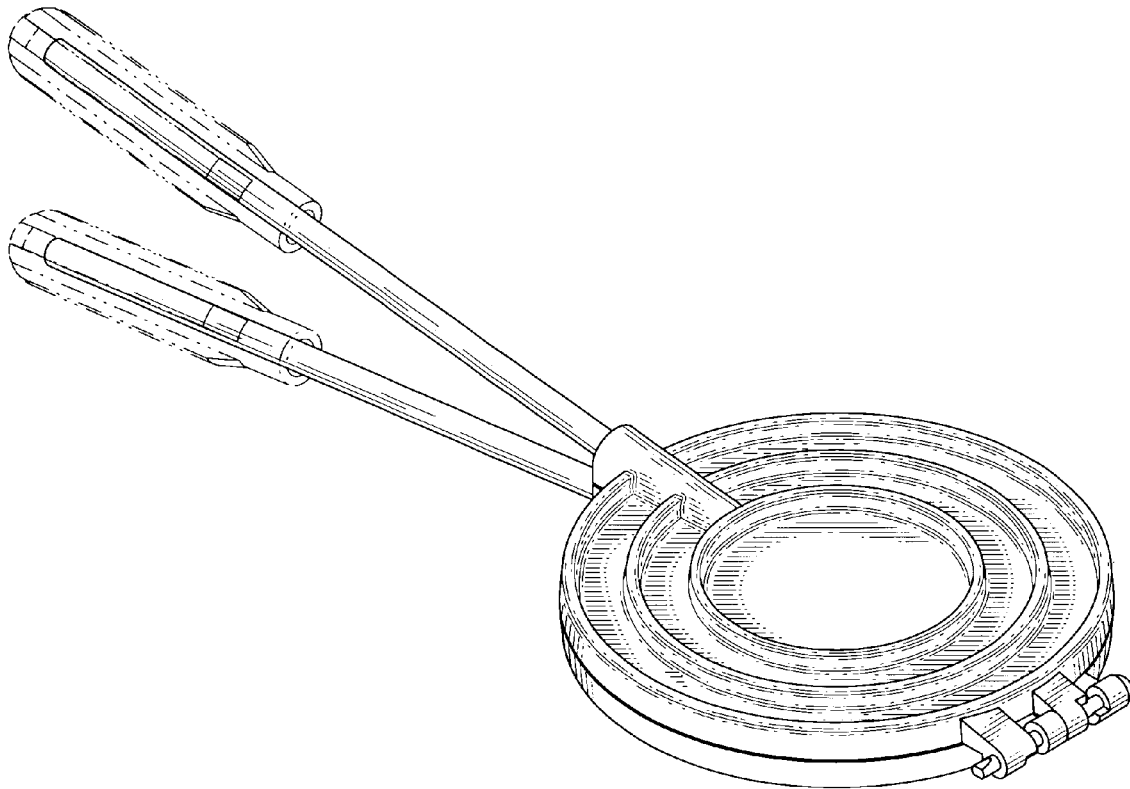
The ornamental design for a tortilla maker, as shown and described.

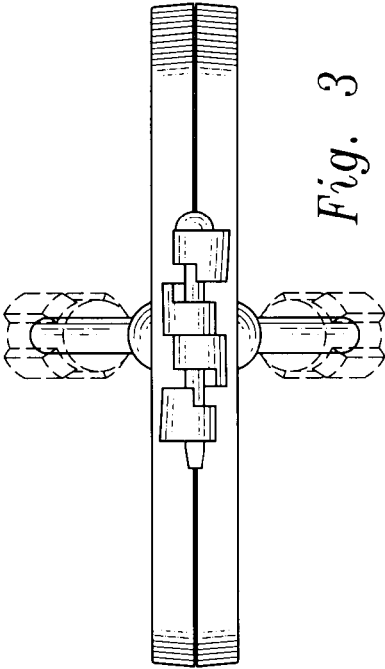
**DESCRIPTION**

FIG. 1 is a perspective view of the tortilla maker; FIG. 2 is a rear elevation view of the invention; FIG. 3 is a front elevation view of the invention; FIG. 4 is a top plan view of the invention, the bottom plan view being a mirror image; FIG. 5 is a left side view of the invention, the right side view being a mirror image; and, FIG. 6 is a perspective view of the invention in an open configuration.

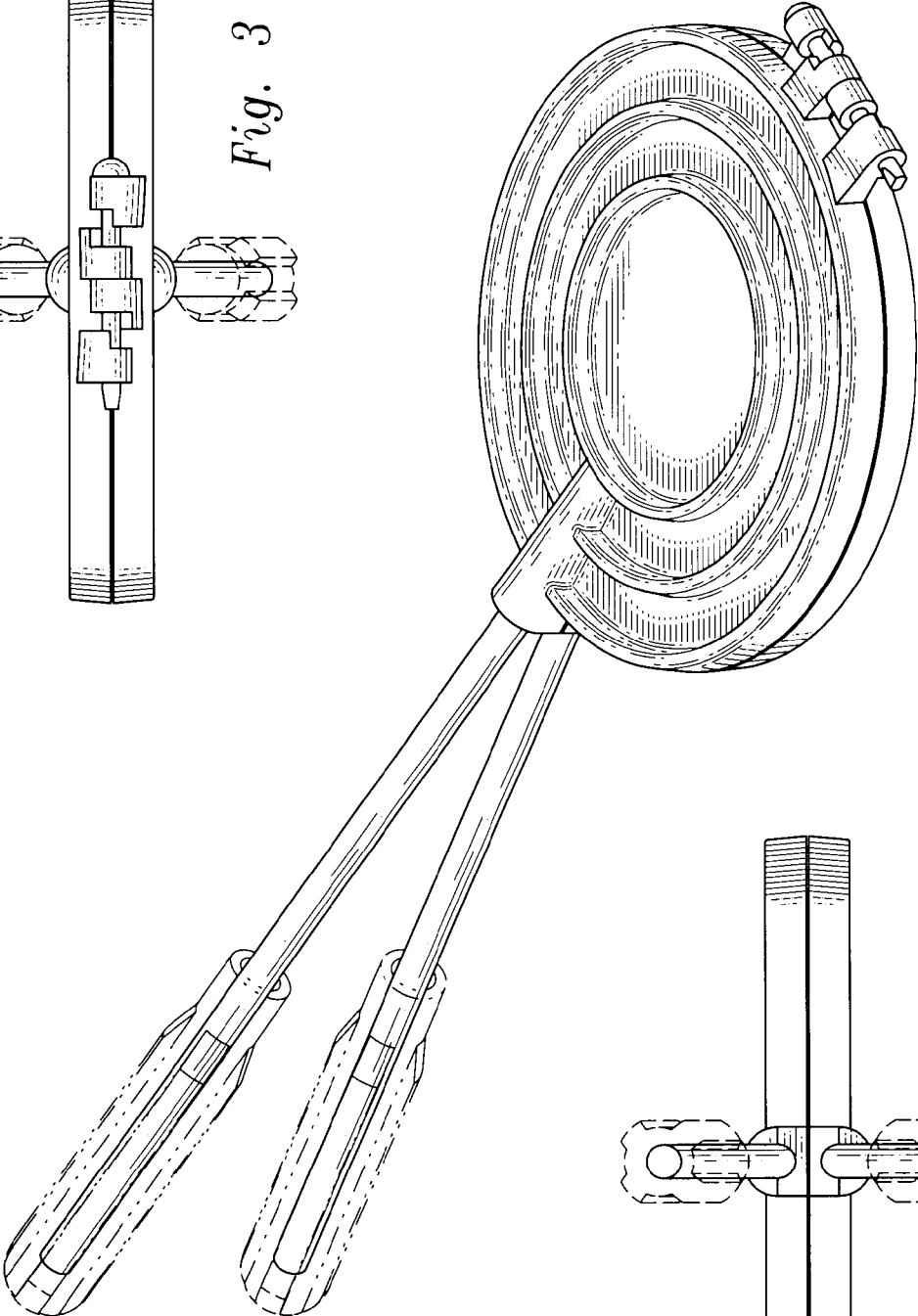
The broken lines in FIGS. 1-6 are for purposes of illustration only and form no part of the claimed design.

**1 Claim, 3 Drawing Sheets**

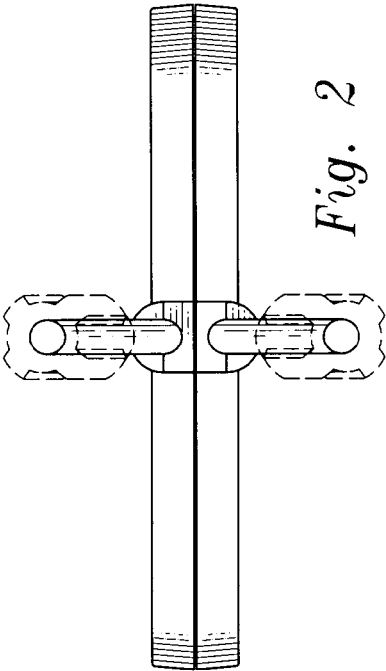




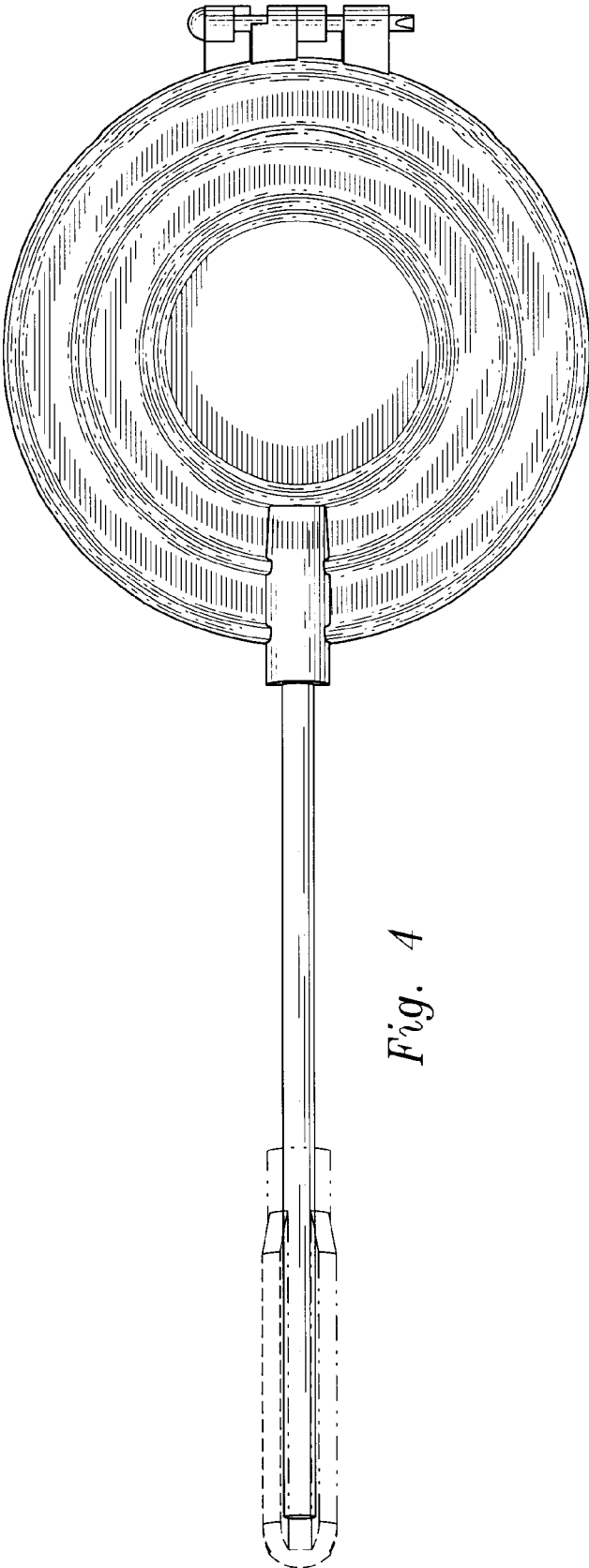
*Fig. 3*



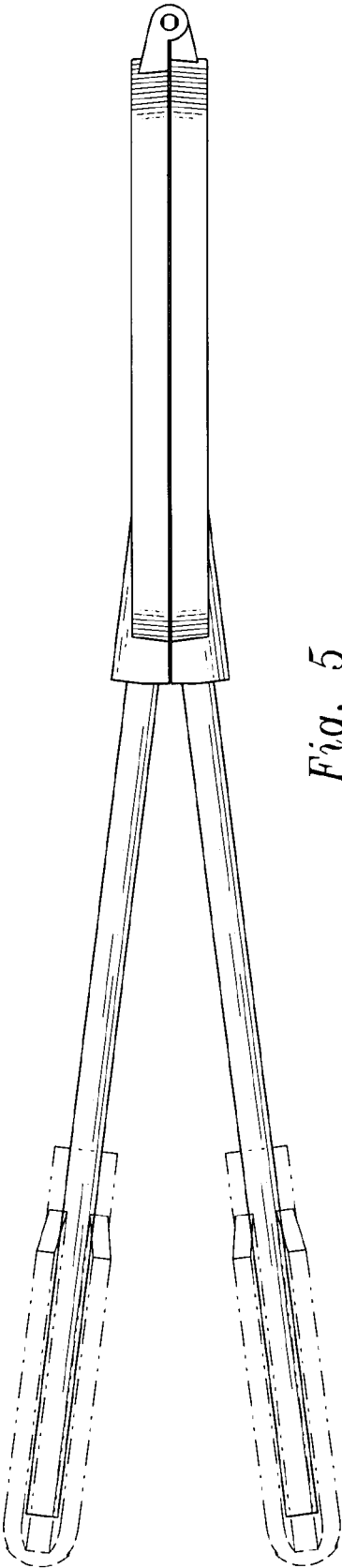
*Fig. 1*



*Fig. 2*



*Fig. 4*



*Fig. 5*

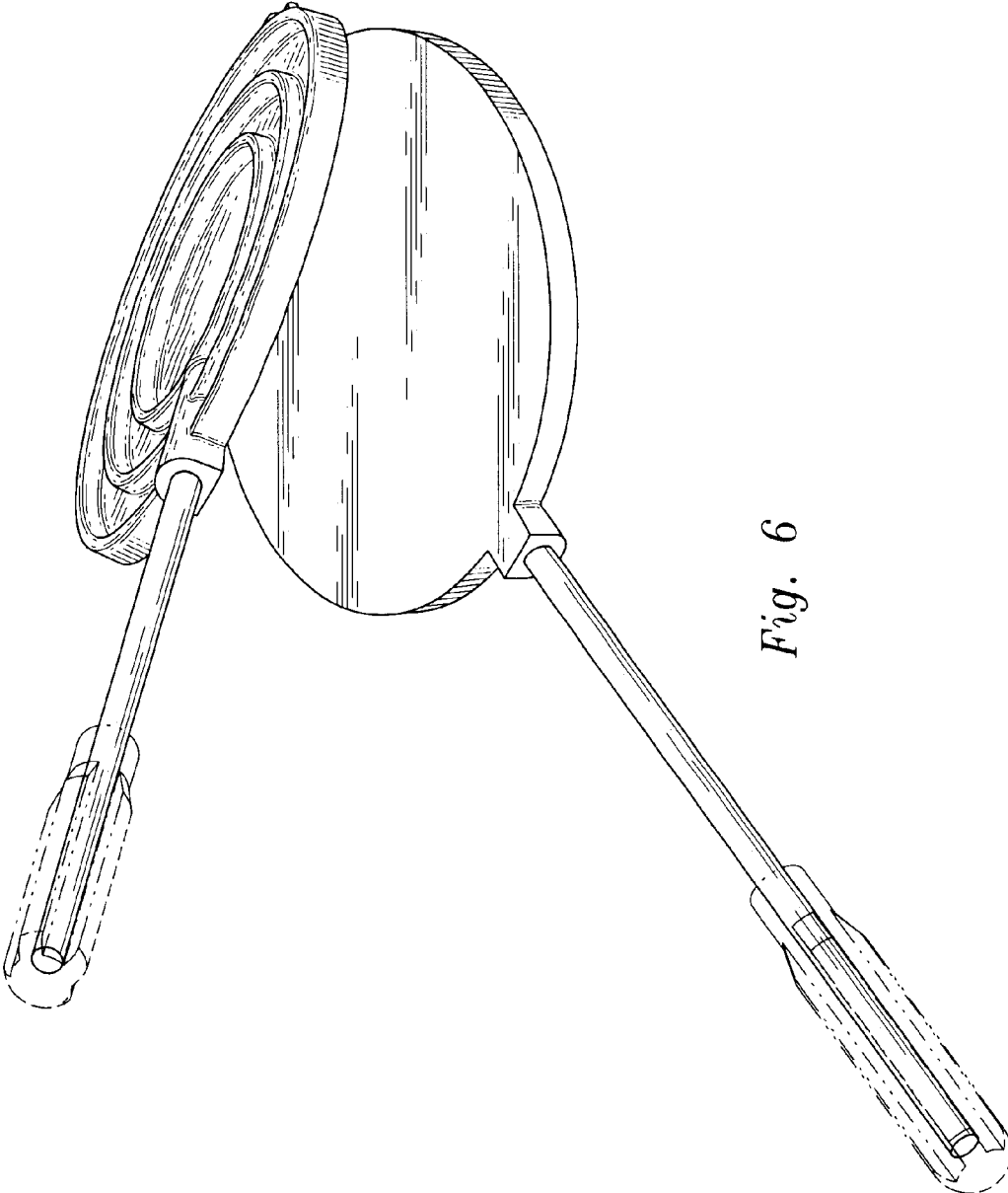


Fig. 6