



US00D565144S

(12) **United States Design Patent**  
**Price**

(10) **Patent No.:** **US D565,144 S**

(45) **Date of Patent:** **\*\* Mar. 25, 2008**

(54) **SIGHT FOR USE ON FIREARMS**

North Pass, Ltd.; HiViz Shooting Systems Brochure; XCel Archery Sight; 2005; U.S.A.

(76) Inventor: **Donald H. Price**, 1574 Coburg Rd., Suite 194, Eugene, OR (US) 97401

*Primary Examiner*—Charles A. Rademaker  
*Assistant Examiner*—Melanie Levy  
(74) *Attorney, Agent, or Firm*—Heisler & Associates

(\*\*) Term: **14 Years**

(21) Appl. No.: **29/232,652**

(57) **CLAIM**

(22) Filed: **Jun. 21, 2005**

The ornamental design for a sight for use on firearms, as shown and described.

(51) **LOC (8) Cl.** ..... **22-01**

(52) **U.S. Cl.** ..... **D22/109**

(58) **Field of Classification Search** ..... D22/100,  
D22/108, 109, 110, 199; 42/111–113, 120,  
42/124, 132, 136, 134, 137, 138, 145, 144,  
42/148; 89/41.19, 161, 200–204; 33/227

See application file for complete search history.

**DESCRIPTION**

(56) **References Cited**

**U.S. PATENT DOCUMENTS**

882,182	A	3/1908	Thompson
1,171,310	A	2/1916	Bisbee
1,268,537	A	6/1918	Bader
1,363,553	A	12/1920	Moreau
1,755,635	A	4/1930	Dindinger
2,706,335	A	4/1955	Munsey
D296,227	S	6/1988	Novak
D351,449	S	10/1994	Dagley
D361,366	S	8/1995	Emerson
D363,334	S	10/1995	De Oliveira Masina
D382,038	S	8/1997	Nigh
5,822,872	A	10/1998	Waki
D403,734	S	1/1999	Kay
6,058,616	A	5/2000	Bubits
D428,102	S	7/2000	Flubacher et al.
D432,618	S	10/2000	Wilson
D435,080	S	12/2000	Ling, Jr.
D435,282	S	12/2000	Ling, Jr.
D436,393	S	1/2001	Ling, Jr.

(Continued)

**OTHER PUBLICATIONS**

North Pass, Ltd.; HiViz Shooting Systems Catalog; TriViz Sight; 2005; p. 5; U.S.A.

FIG. 1 is a front elevation view of a forward portion of a sight for use on firearms, according to this invention.

FIG. 2 is a perspective view of the forward portion of the invention.

FIG. 3 is a front elevation view of a rearward portion of the invention.

FIG. 4 is a perspective view of the rearward portion of the invention.

FIG. 5 is a front elevation view of the entire invention.

FIG. 6 is a perspective view of the entire invention.

FIG. 7 is a front elevation view of a second embodiment showing the forward portion of the invention.

FIG. 8 is a perspective view of the second embodiment showing the forward portion of the invention.

FIG. 9 is a front elevation view of the second embodiment showing the rearward portion of the invention.

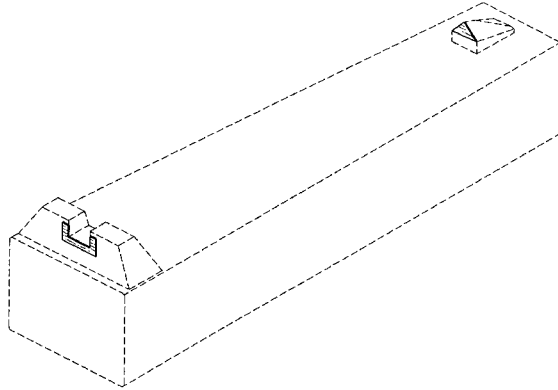
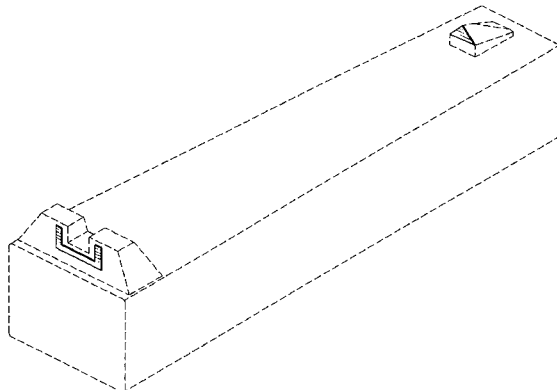
FIG. 10 is a perspective view of the second embodiment showing the rearward portion of the invention.

FIG. 11 is a front elevation view of the second embodiment of the entire invention; and,

FIG. 12 is a perspective view of the second embodiment of the entire invention.

The broken lines in FIGS. 1–12 are for purposes of illustration only and form no part of the claimed design.

**1 Claim, 2 Drawing Sheets**



# US D565,144 S

Page 2

---

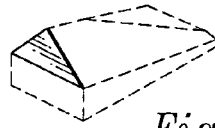
## U.S. PATENT DOCUMENTS

D443,016 S	5/2001	Nigh		D492,747 S	7/2004	LoRocco	
6,233,836 B1	5/2001	Uhlmann et al.		6,804,908 B1	10/2004	Hanson	
6,360,471 B1	3/2002	Stein		D515,170 S *	2/2006	Price .....	D22/109
6,367,189 B1 *	4/2002	Clay .....	42/145	D546,915 S *	7/2007	Price .....	D22/109
6,678,987 B2	1/2004	Howe		2003/0074824 A1 *	4/2003	Arachequesne .....	42/111
D489,115 S *	4/2004	Nasef .....	D22/109				

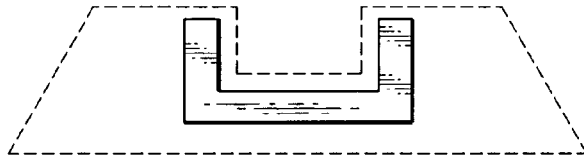
\* cited by examiner



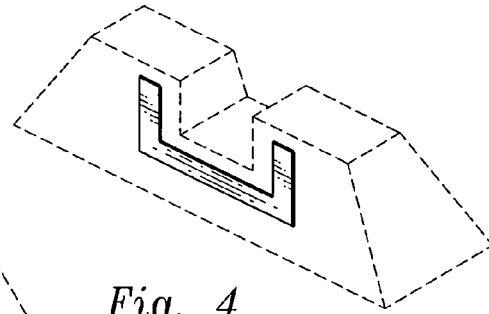
*Fig. 1*



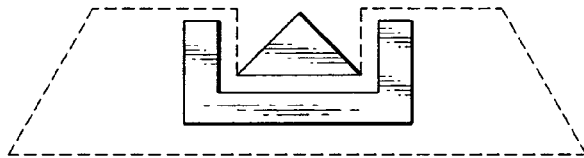
*Fig. 2*



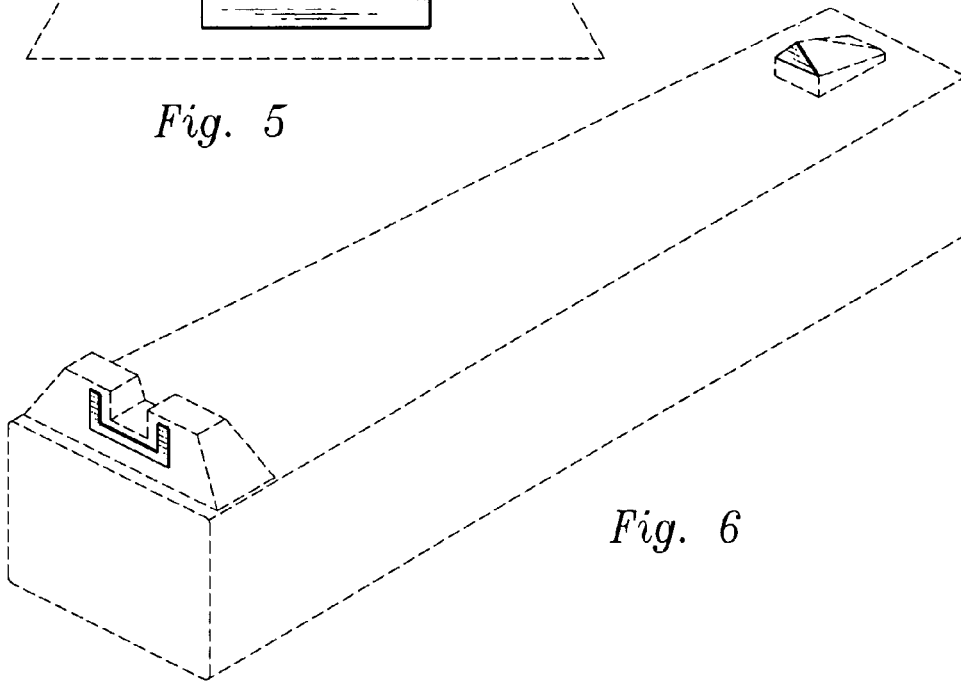
*Fig. 3*



*Fig. 4*



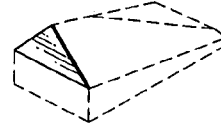
*Fig. 5*



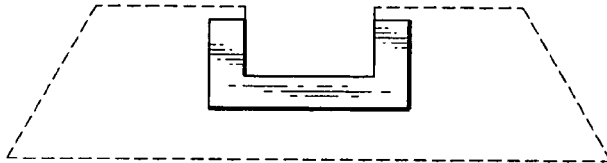
*Fig. 6*



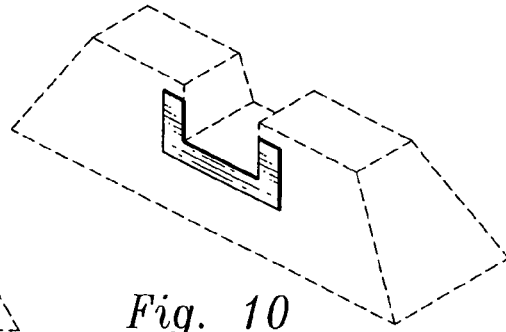
*Fig. 7*



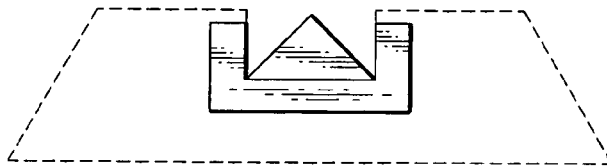
*Fig. 8*



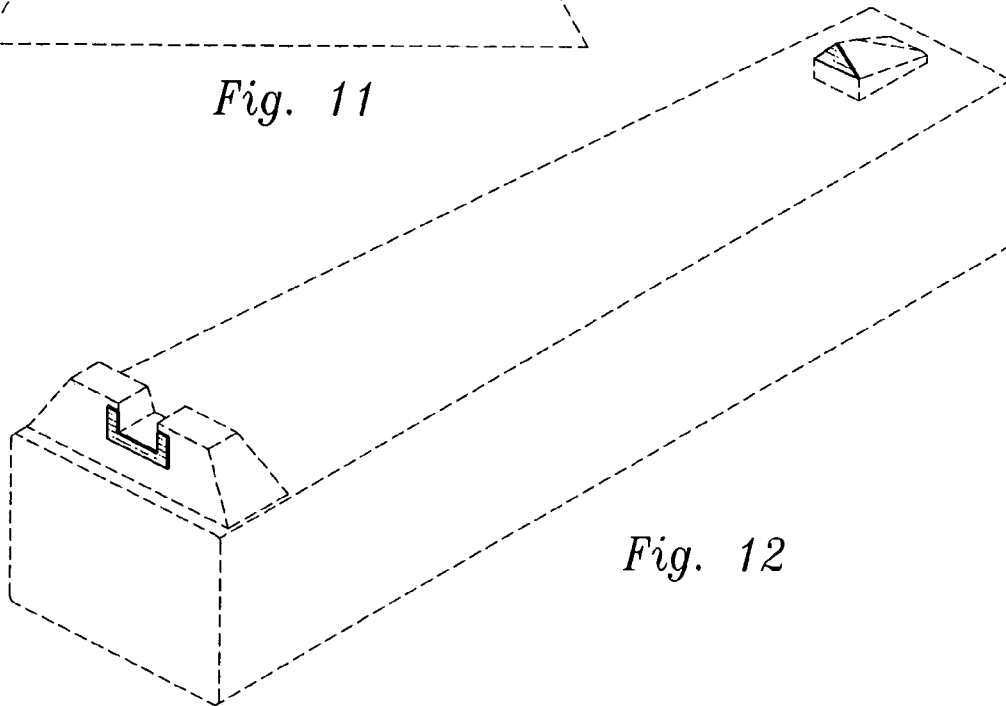
*Fig. 9*



*Fig. 10*



*Fig. 11*



*Fig. 12*