



(12) **United States Design Patent**
George

(10) **Patent No.:** **US D567,070 S**
(45) **Date of Patent:** **** Apr. 22, 2008**

(54) **FACIA BOARD HOLDER**

(76) Inventor: **Jeff George**, 1090 Hurelton Rd.,
Oroville, CA (US) 95966

(**) Term: **14 Years**

(21) Appl. No.: **29/291,342**

(22) Filed: **Aug. 23, 2007**

(51) **LOC (8) Cl.** **08-05**

(52) **U.S. Cl.** **D8/371**

(58) **Field of Classification Search** **D8/323,**
D8/367, 371, 373; D6/323, 375, 524, 552;
211/87, 113; 248/58, 215, 227.2, 229.16,
248/231.81, 301, 309.1, 489; 269/41, 45,
269/82, 92.2, 98, 152, 154, 155, 904, 910;
52/127, 127.1, 127.2, 702, 713, 714; 29/281.1,
29/281.5, 281.6

See application file for complete search history.

(56) **References Cited**

U.S. PATENT DOCUMENTS

1,856,847	A *	5/1932	Gates	248/231.81
2,286,118	A *	6/1942	Sleeth	248/58
2,424,364	A *	7/1947	Myers	248/301
2,461,071	A *	2/1949	Mettenleiter	248/227.2
D193,982	S *	11/1962	Johnson	D8/371
D206,232	S *	11/1966	Magnuson	D6/323
D237,460	S *	11/1975	Bordman	D8/373
3,982,719	A *	9/1976	Kilborne	248/489
D251,180	S *	2/1979	Mader et al.	D8/371
D253,079	S *	10/1979	Hill	D6/552
D259,243	S *	5/1981	Argante	D8/375
D291,630	S *	9/1987	Chap	D6/323
4,728,069	A *	3/1988	Semcer	248/227.2
5,192,059	A *	3/1993	Silver	
5,228,667	A *	7/1993	Bridegum	269/45

5,611,189	A	3/1997	Fleck	
5,746,421	A	5/1998	Bowerman	
5,908,119	A *	6/1999	Kump et al.	211/113
6,079,679	A *	6/2000	Mitchell	248/229.16
6,202,969	B1 *	3/2001	Orr	248/301
6,209,280	B1	4/2001	Bruce	
6,240,702	B1	6/2001	Wilson	
6,318,711	B1	11/2001	Auston, Jr.	
6,513,286	B2	2/2003	Vierra	
2002/0189194	A1	12/2002	Santa Cruz	
2003/0066938	A1 *	4/2003	Zimmerman	248/301

* cited by examiner

Primary Examiner—T. Chase Nelson
Assistant Examiner—Barbara B Lohr
(74) *Attorney, Agent, or Firm*—Heisler & Associates

(57) **CLAIM**

The ornamental design for a facia board holder, as shown and described.

DESCRIPTION

FIG. 1 is a perspective view of the facia board holder of this invention.

FIG. 2 is a top plan view of the invention.

FIG. 3 is a right side view of the invention, the left side view being a mirror image.

FIG. 4 is a front elevation view of the invention.

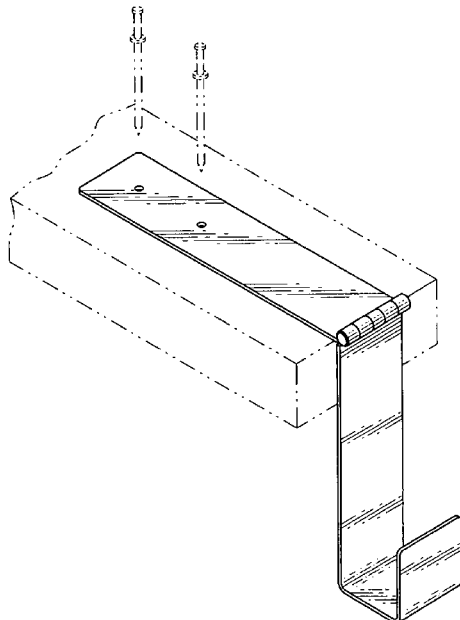
FIG. 5 is a bottom plan view of the invention.

FIG. 6 is a rear elevation view of the invention; and,

FIG. 7 is a perspective view of the invention in use mounted to a broken line rafter.

The broken lines in FIGS. 1 and 7 are for purposes of illustration only and form no part of the claimed design.

1 Claim, 2 Drawing Sheets



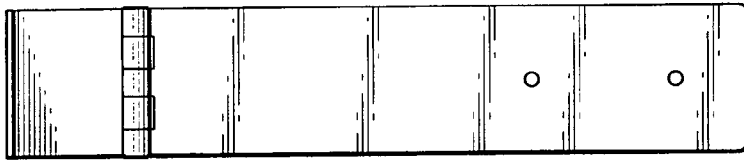
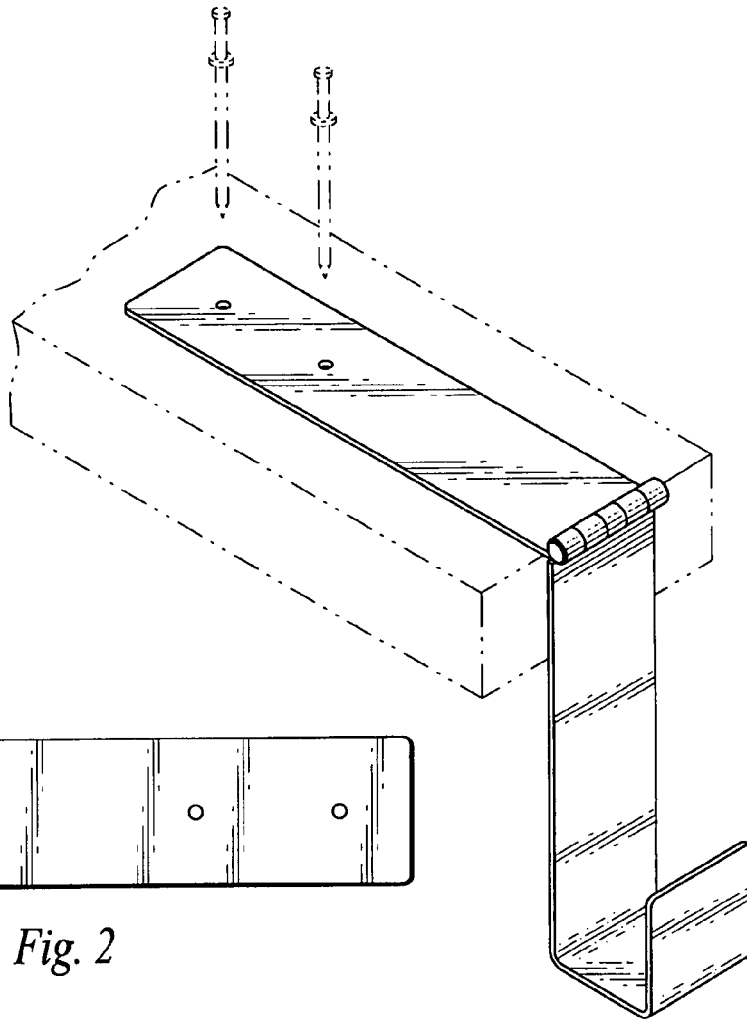


Fig. 2

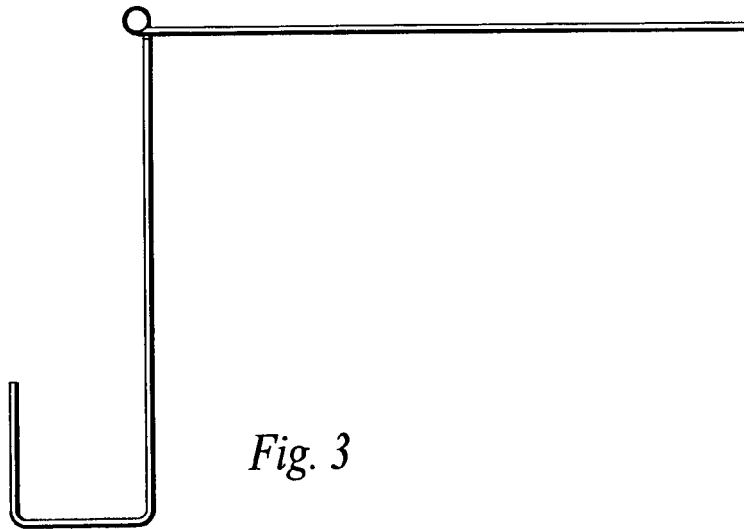


Fig. 3

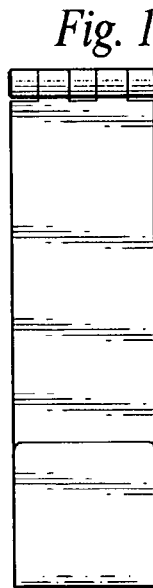


Fig. 1

Fig. 4

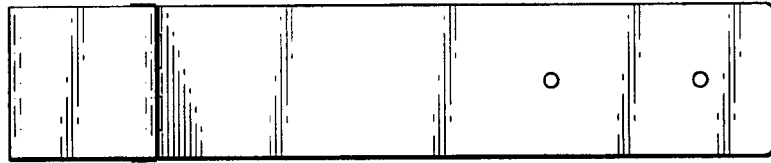


Fig. 5

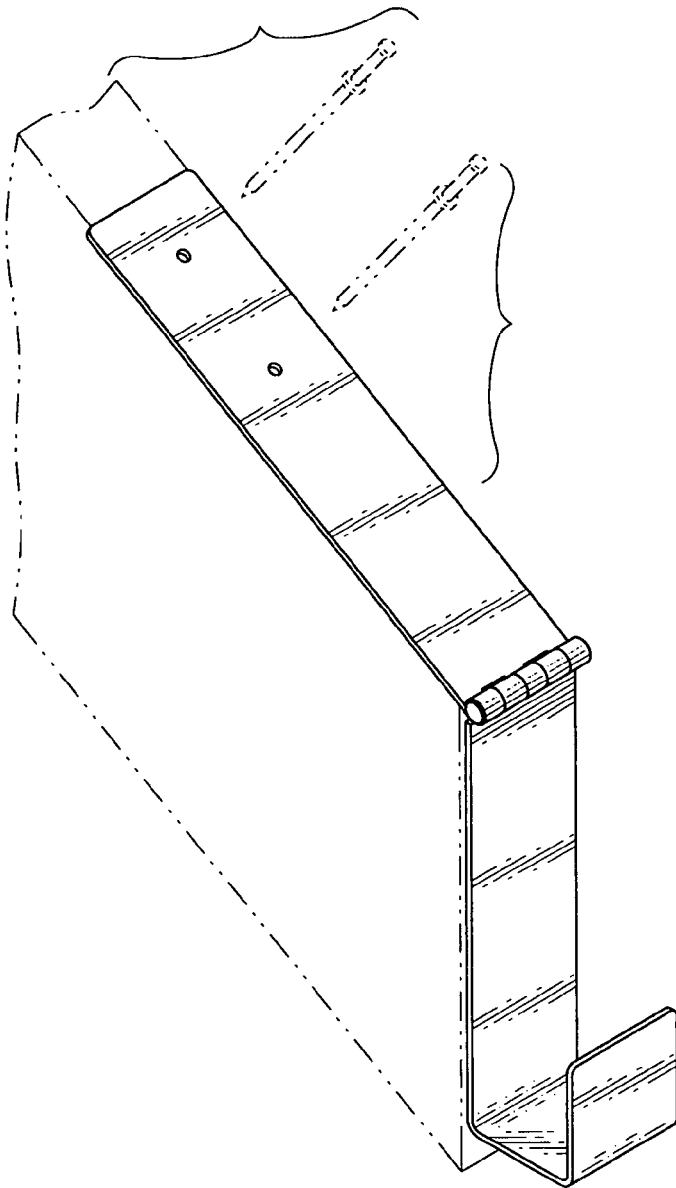


Fig. 7

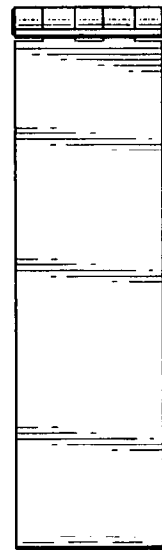


Fig. 6