



US00D491991S1

(12) **United States Design Patent**
Friebus

(10) **Patent No.:** **US D491,991 S**

(45) **Date of Patent:** **** Jun. 22, 2004**

(54) **GOLF PUTTER HEAD**

6,159,109 A 12/2000 Langslet
6,241,624 B1 6/2001 Zabytko

(76) Inventor: **Robert A. Friebus**, 863 9th St.,
Lincoln, CA (US) 95648

* cited by examiner

(**) Term: **14 Years**

Primary Examiner—Mitchell Siegel
(74) *Attorney, Agent, or Firm*—Heisler & Associates

(21) Appl. No.: **29/189,097**

(57) **CLAIM**

(22) Filed: **Aug. 27, 2003**

The ornamental design for a golf putter head, as shown and described.

(51) **LOC (7) Cl.** **21-02**

(52) **U.S. Cl.** **D21/738**

(58) **Field of Search** D21/736–746;
473/324–330, 340, 341, 251–256

DESCRIPTION

(56) **References Cited**

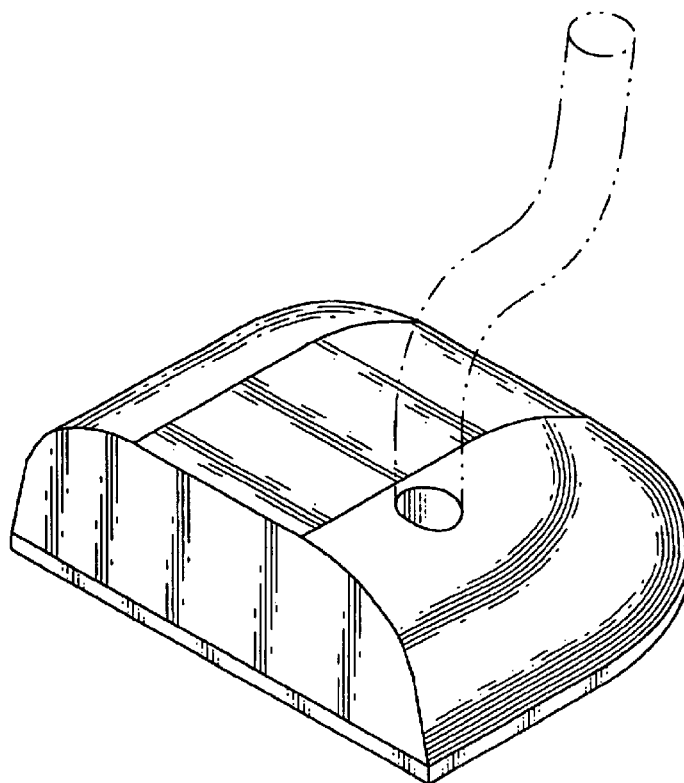
U.S. PATENT DOCUMENTS

2,843,384	A	*	7/1958	Schmidt	473/204
D224,545	S	*	8/1972	Elkins	D21/741
D240,642	S	*	7/1976	Manfrin	D21/742
D245,437	S	*	8/1977	Thiel	D21/745
4,530,505	A		7/1985	Stuff		
4,834,387	A		5/1989	Waites		
5,324,031	A		6/1994	Green		
5,482,281	A		1/1996	Anderson		
5,558,332	A		9/1996	Cook		
D375,131	S	*	10/1996	Williams	D21/743
5,643,100	A		7/1997	Zabytko		
D399,900	S	*	10/1998	Hogan	D21/742
D404,095	S	*	1/1999	Gedeon	D21/738

FIG. 1 is a perspective view of the golf putter head of this invention shown with a shaft of a golf club attached thereto in broken lines;
FIG. 2 is a top plan view of the invention;
FIG. 3 is a front elevation view of the invention;
FIG. 4 is a rear elevation view of the invention;
FIG. 5 is a left side view of the invention;
FIG. 6 is a right side view of the invention; and,
FIG. 7 is a bottom plan view of the invention.

The broken lines in FIG. 1 are for purposes of illustration only and form no part of the claimed design. The two mutually parallel solid lines in FIGS. 2 and 4 each denote margins between two portions of the design with dissimilar surface appearance, so that these lines are visually perceptible on the top and rear surfaces of the design.

1 Claim, 2 Drawing Sheets



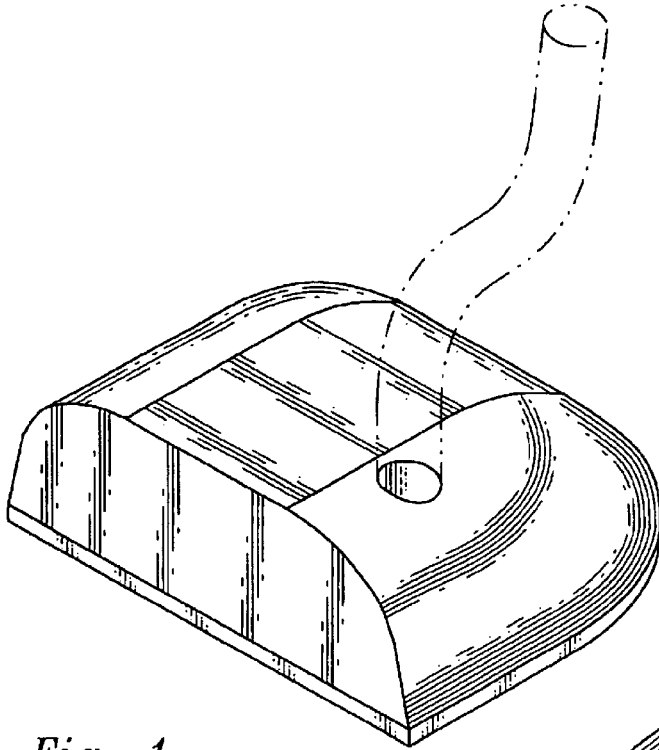


Fig. 1

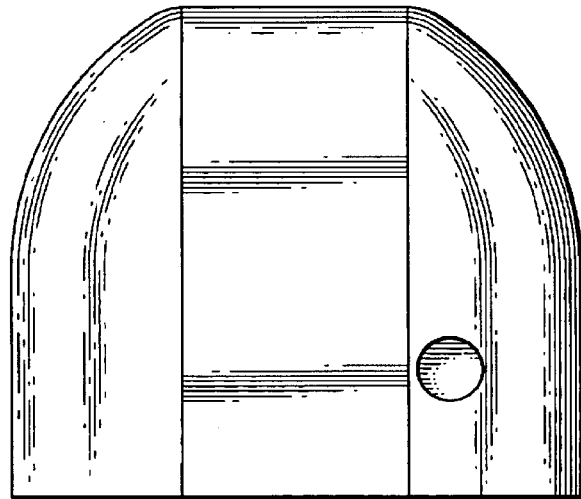


Fig. 2

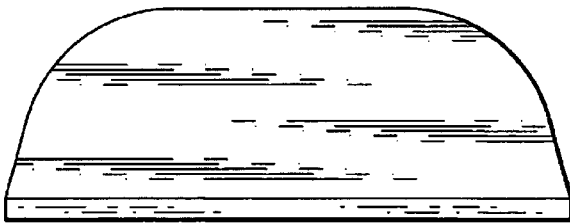


Fig. 3

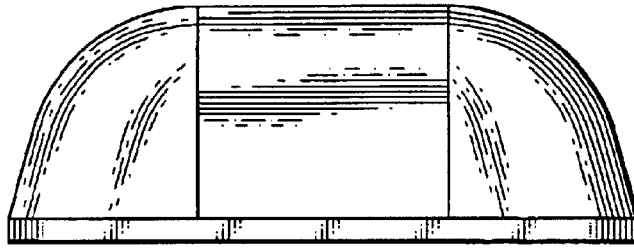


Fig. 4

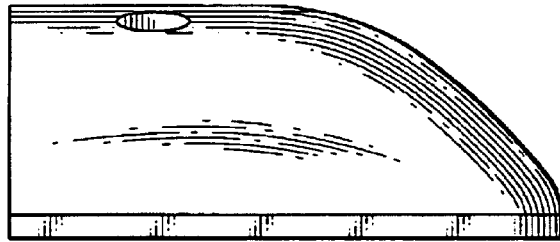


Fig. 5

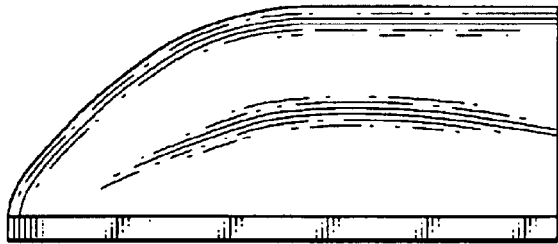


Fig. 6



Fig. 7