



US00D442661S

(12) **United States Design Patent**
Young

(10) **Patent No.:** **US D442,661 S**

(45) **Date of Patent:** **** May 22, 2001**

(54) **GOLF PUTTING PRACTICE HOLE
SIMULATOR**

4,896,886 * 1/1990 Colley 473/188 X

* cited by examiner

(76) Inventor: **Roger G. Young**, 9460 Upper Valley
Rd., Auburn, CA (US) 95602

Primary Examiner—Dominic Simone

(74) *Attorney, Agent, or Firm*—Heisler & Associates

(**) Term: **14 Years**

(57) **CLAIM**

(21) Appl. No.: **29/109,790**

I claim the ornamental design for a golf putting practice hole simulator, as shown and described.

(22) Filed: **Aug. 23, 1999**

DESCRIPTION

(51) **LOC (7) Cl.** **21-02**

(52) **U.S. Cl.** **D21/790**

(58) **Field of Search** D21/790, 791;
473/188, 173, 180, 157; 273/127 R

FIG. 1 is a perspective view of the invention with a flag pole portion cut out to illustrate that it is longer than as shown. Omitted portions of the pole are configured the same as portions shown.

FIG. 2 is a right side view of the invention, the left side view, front view and rear view being a mirror image thereof.

FIG. 3 is a top plan view of the invention; and,

FIG. 4 is a bottom plan view of the invention.

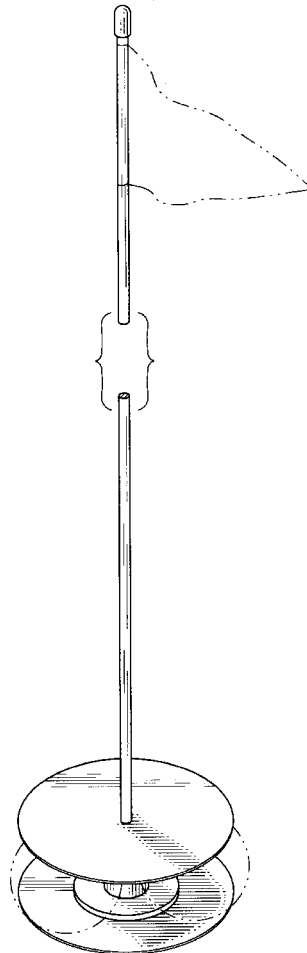
The broken lines in FIG. 1 showing one possible flag configuration and showing the outline of two golf balls trapped by the simulator are for purposes of illustration only and form no part of the claimed design.

(56) **References Cited**

U.S. PATENT DOCUMENTS

D. 174,253	*	3/1955	Evans	D21/790
D. 196,846	*	11/1963	Niamtu, Jr.	D21/790
D. 411,601	*	6/1999	Fong	D21/791
954,299	*	4/1910	Johnson	473/188
1,297,055	*	3/1919	Austin	473/188
3,458,202	*	7/1969	McNamara	473/188
4,691,922	*	9/1987	Peel et al.	473/188

1 Claim, 1 Drawing Sheet



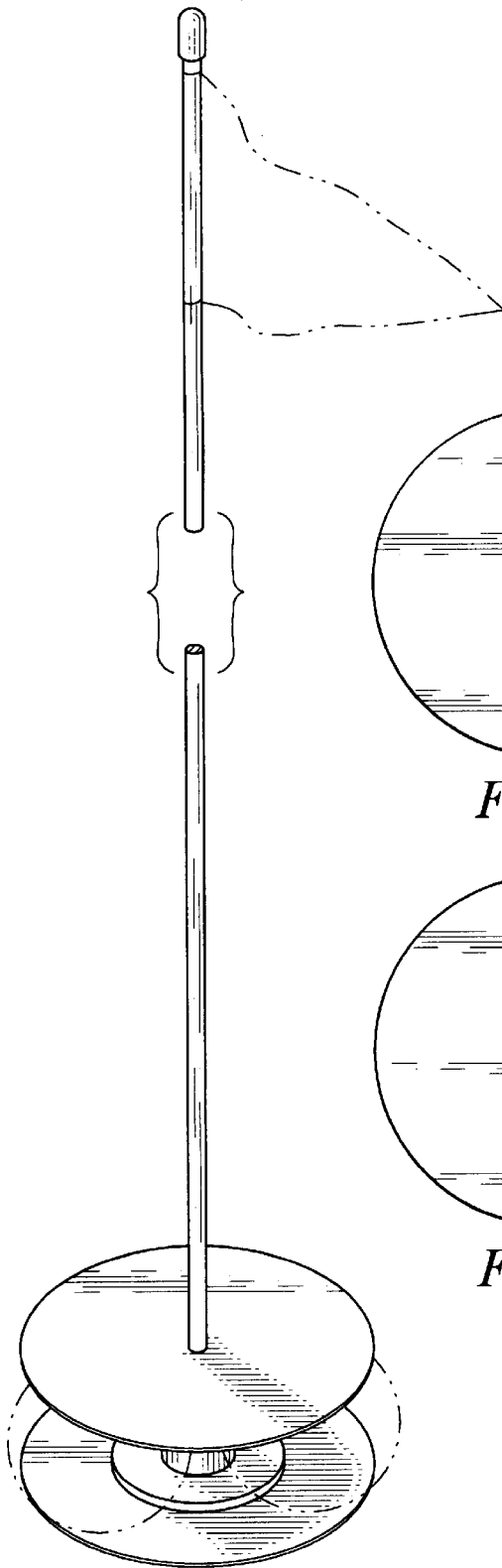


Fig. 1

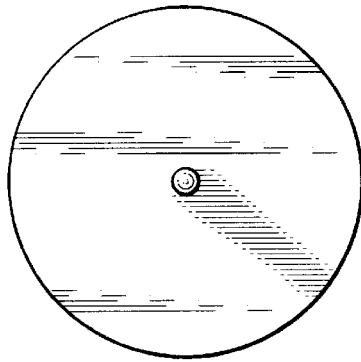


Fig. 3

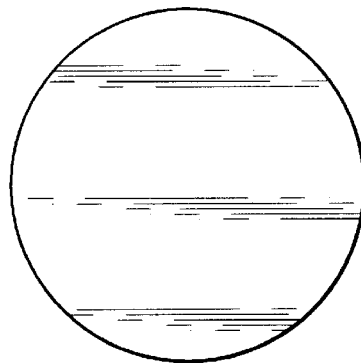


Fig. 4

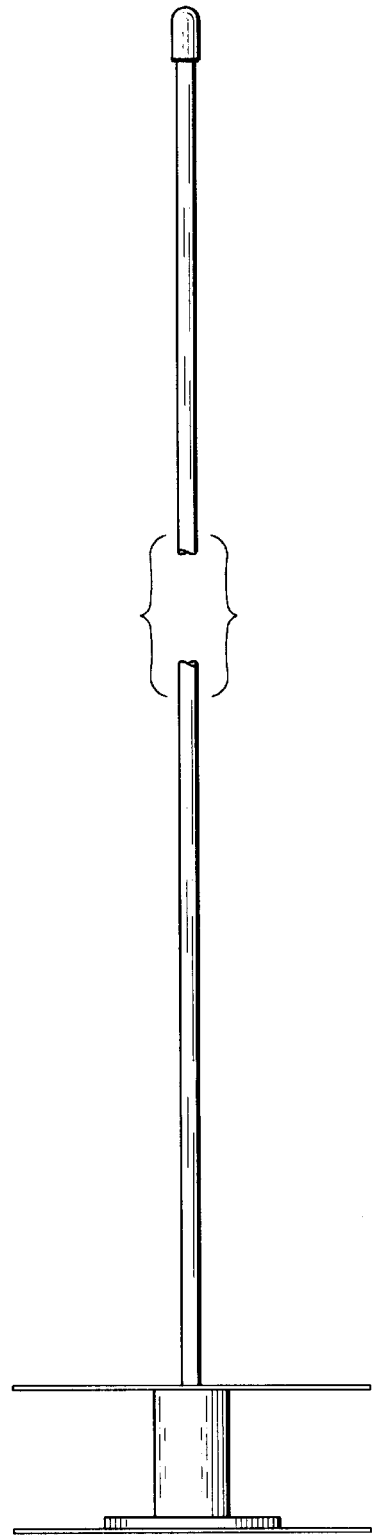


Fig. 2